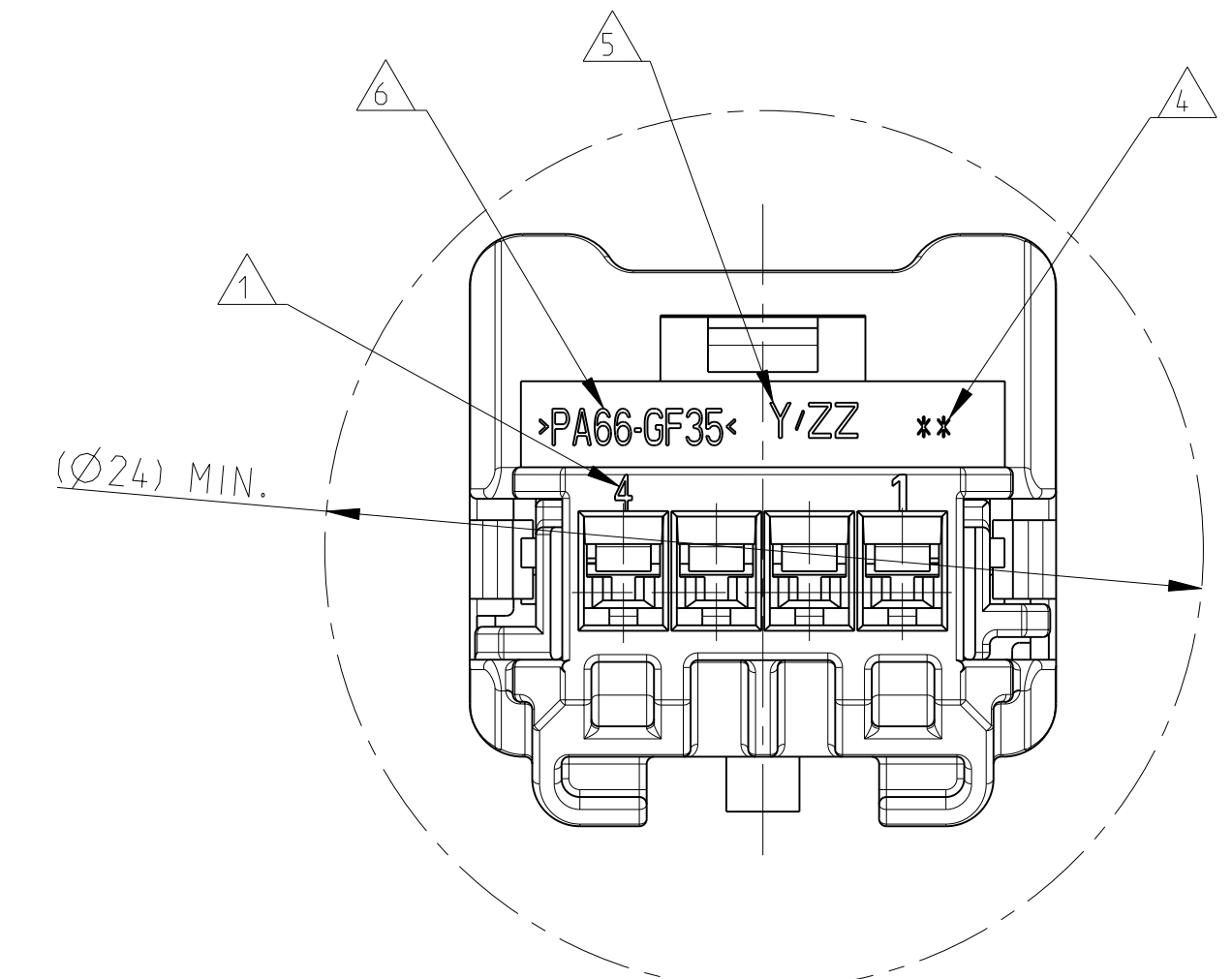
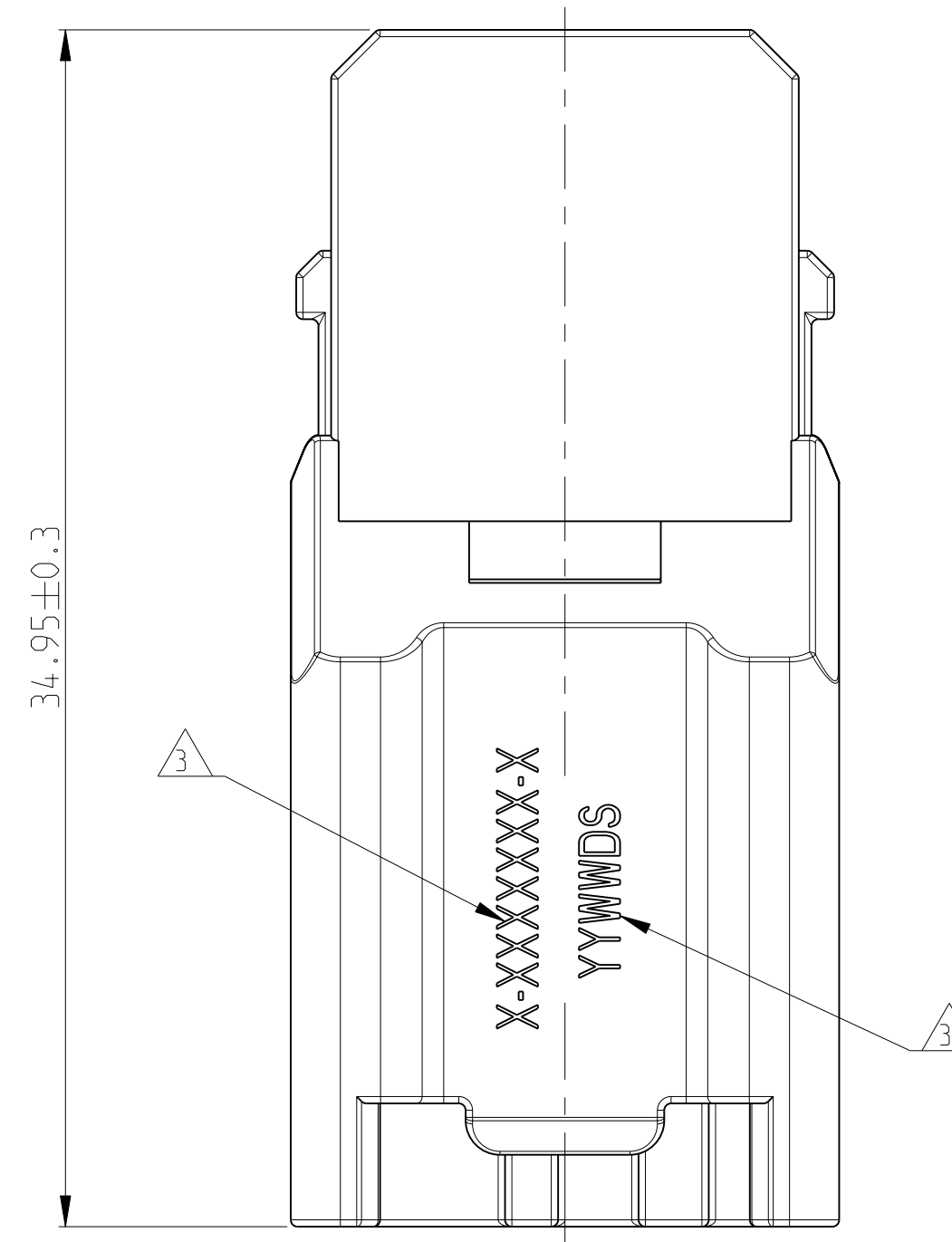
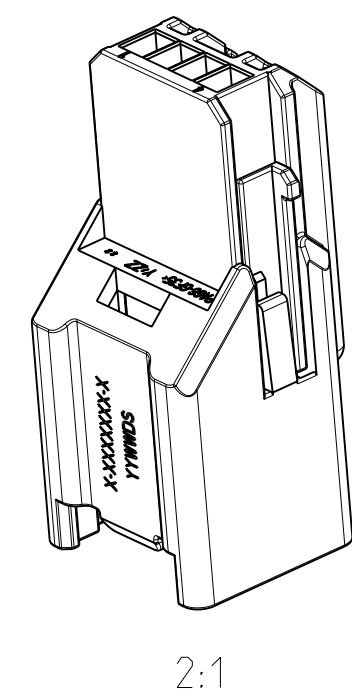
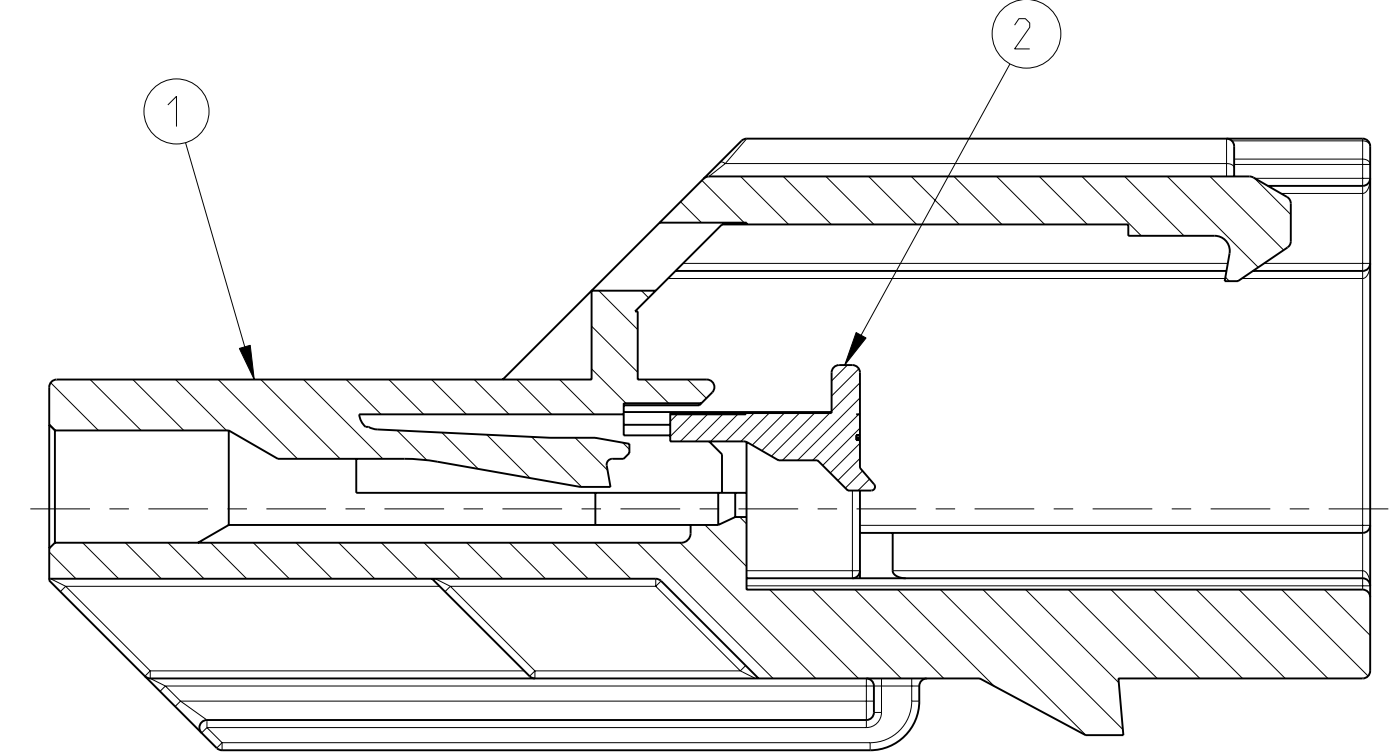
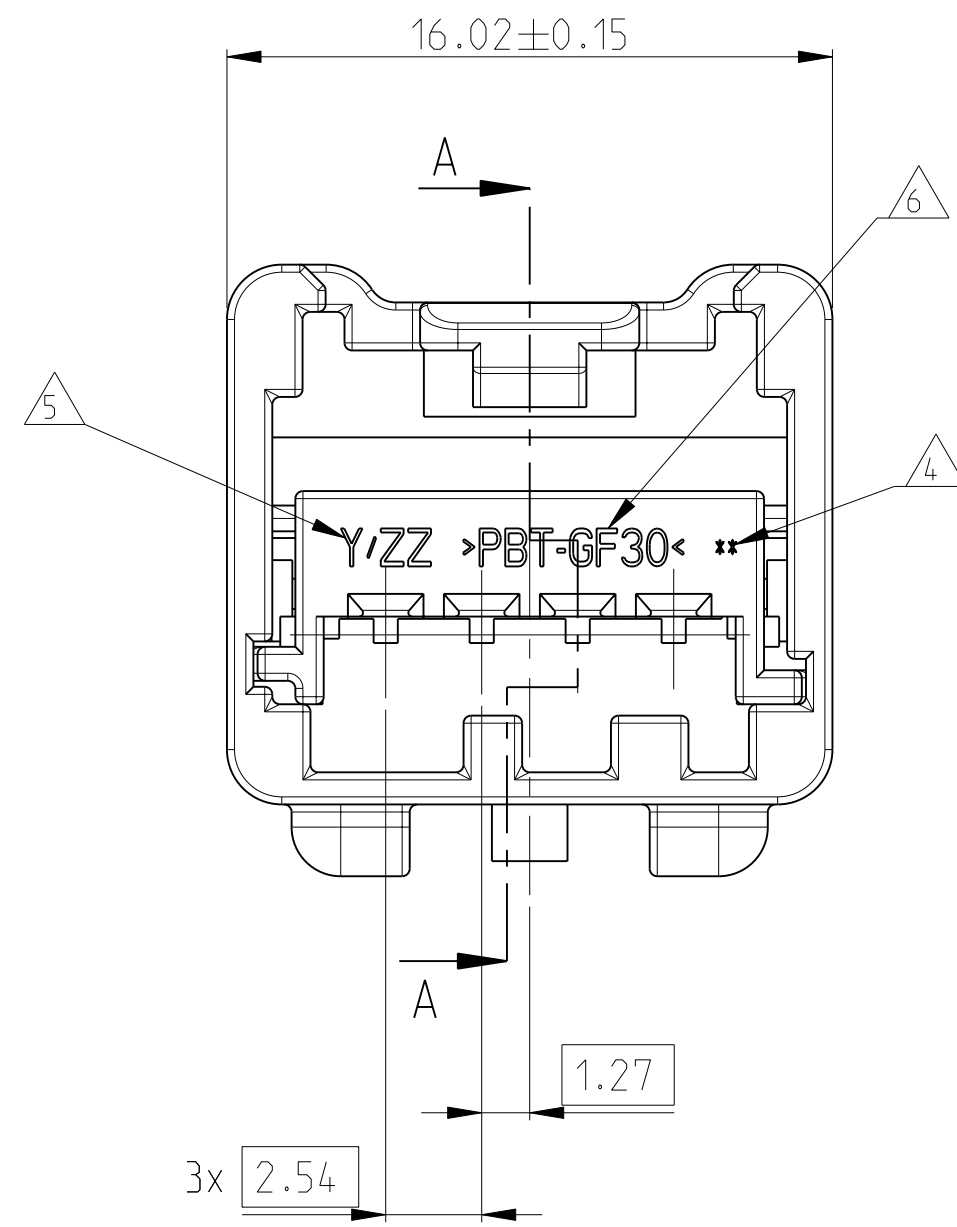
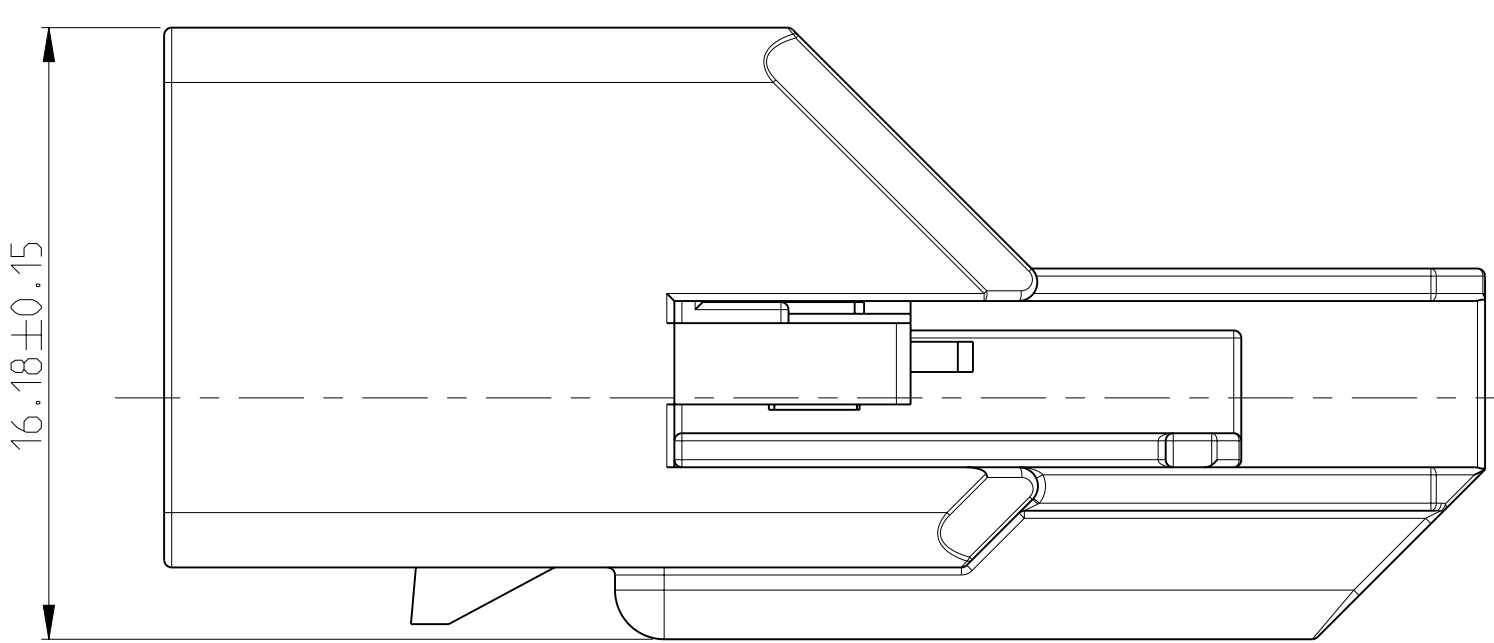
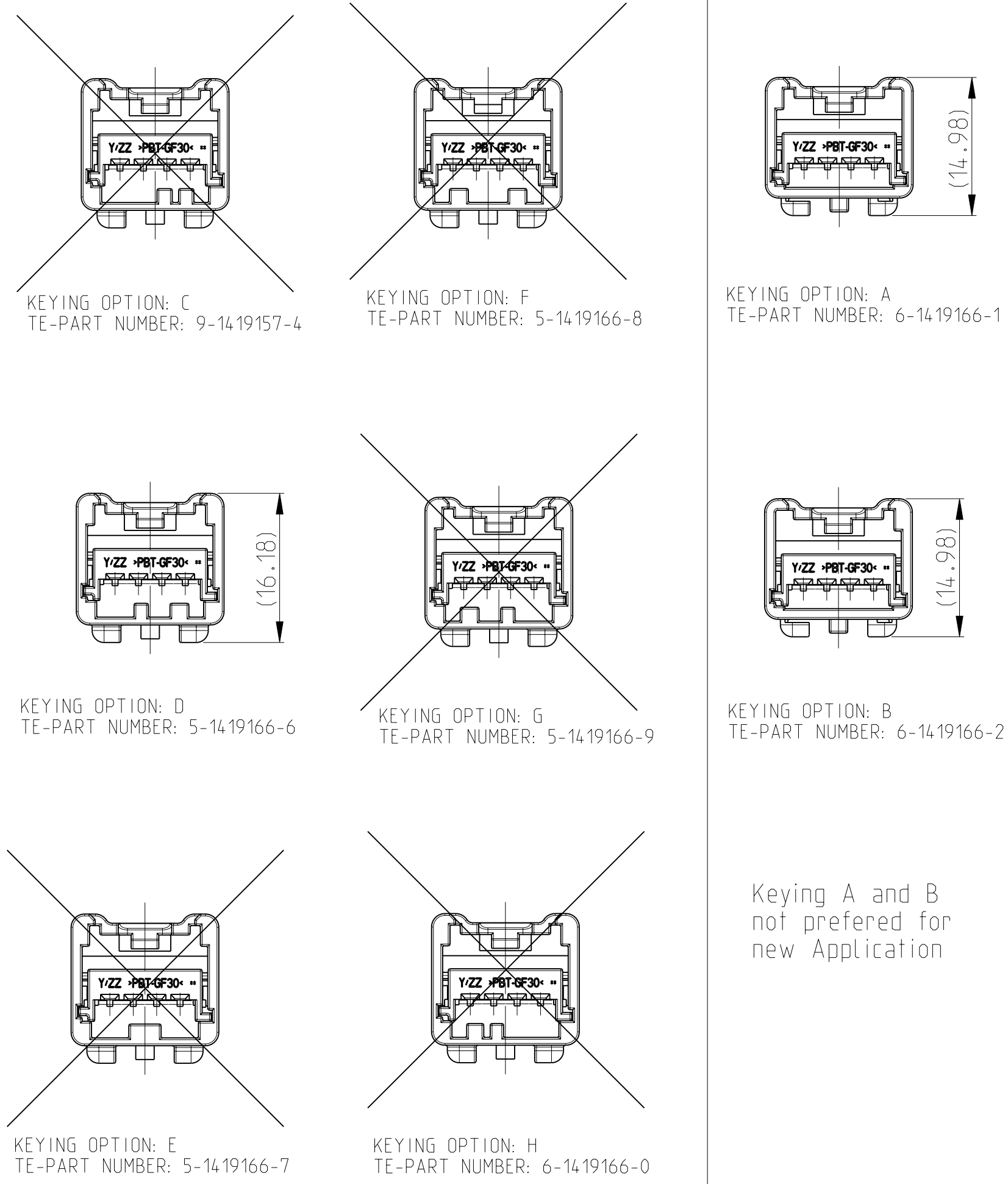


KEYING OPTIONS



WORST CASE FEED THRU CONDITION

- NOTE:
- 1 TERMINAL POSITION NUMBERS LOCATED AS SHOWN
 - 2 DELIVERY CONDITION: SPACER IN PRE-ASSEMBLED POSITION
 - 3 TE-PART NUMBER AND DATE CODE
 - 4 PRODUCT REVISION LEVEL OPTIONAL
 - 5 TOOL NUMBER AND CAVITY NUMBER OPTIONAL
 - 6 MATERIAL IDENTIFICATION
 - 7 PACKING: CONNECTOR ASSEMBLIES BULK PACKED IN CARD BOX
 - 8 KODING D SHOWN

REV	KEYING OPTIONS							
	A	B	C	D	E	F	G	H
C	C	-	B	-	-	-	-	-
6-1419166-1	C	-	B	-	-	-	-	-
6-1419166-2	C	-	B	-	-	-	-	-
9-1419157-4	-	-	-	-	-	-	-	-
5-1419166-6	-	-	-	-	-	-	-	-
5-1419166-7	-	-	-	-	-	-	-	-
5-1419166-8	-	-	-	-	-	-	-	-
5-1419166-9	-	-	-	-	-	-	-	-
6-1419166-0	-	-	-	-	-	-	-	-
1	1	1	1	1	1	1	1	2
-	-	-	-	-	-	-	1	1
-	-	-	-	-	-	1	-	1
-	-	-	-	1	-	-	-	1
-	-	-	1	-	-	-	-	1
-	1	-	-	-	-	-	-	1
1	-	-	-	-	-	-	-	1
QUANTITY		ITEM		DESCRIPTION		MATERIAL		COLOR

DIMENSIONS: mm		TOLERANCES UNLESS OTHERWISE SPECIFIED:		DWN MALINAK 09MAY2001		Tyco Electronics AMP GmbH	
0 PLC		#		CHK G.Steinbach 10MAY2001		D - 64625 Bensheim	
1 PLC		#		APVD G.Steinbach 10MAY2001		NAME	
2 PLC		#		PRODUCT SPEC		1 x 4 POS. GET MALE CONNECTOR, UNSEALED ASSEMBLY	
3 PLC		#		APPLICATION SPEC		SIZE CAGE CODE DRAWING NO RESTRICTED TO	
4 PLC		#		WEIGHT		A1 00779 C=9-1419157-4	
ANGLES		#		CUSTOMER DRAWING		SCALE 5:1 SHEET 1 OF 1 REV C3	